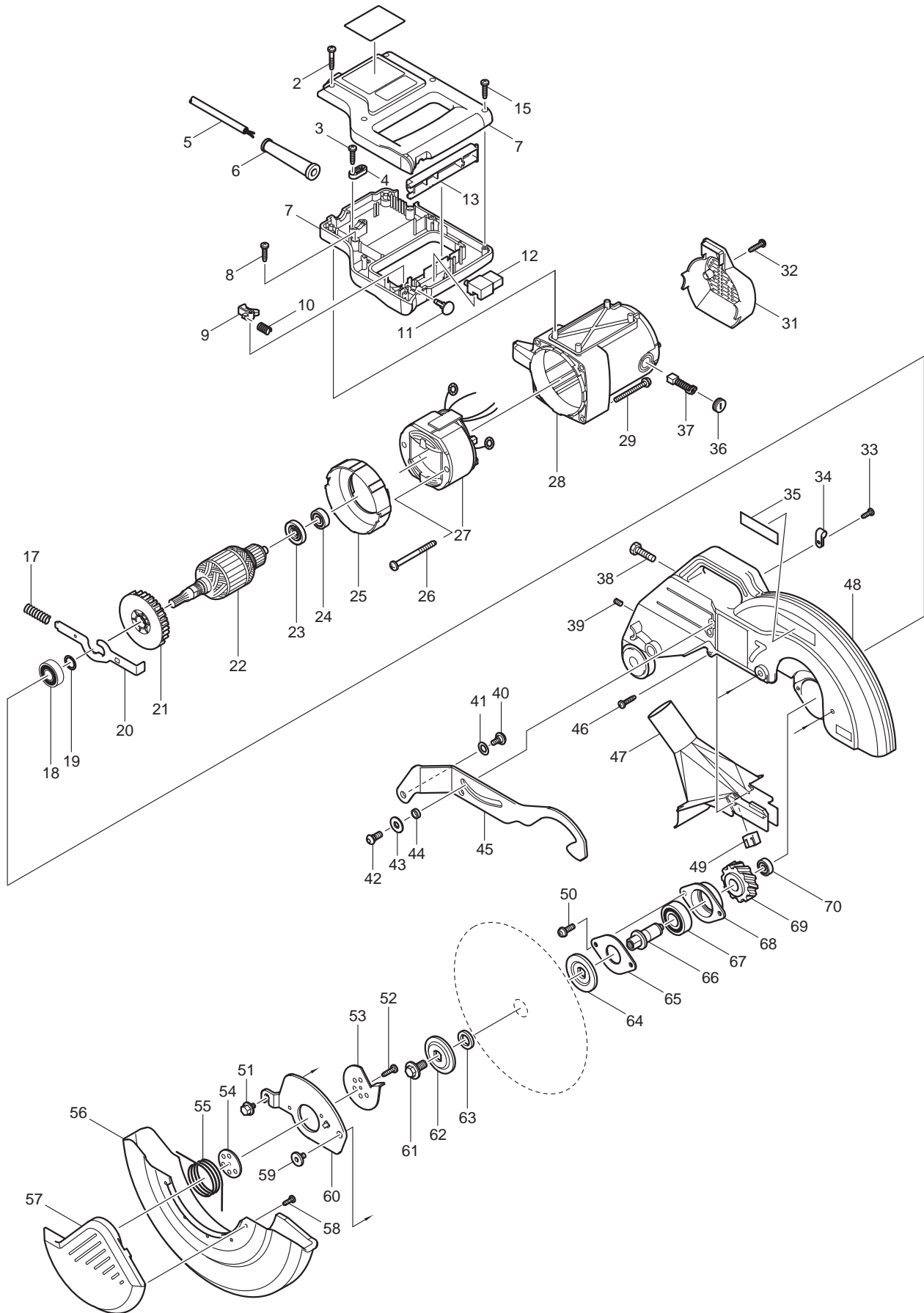


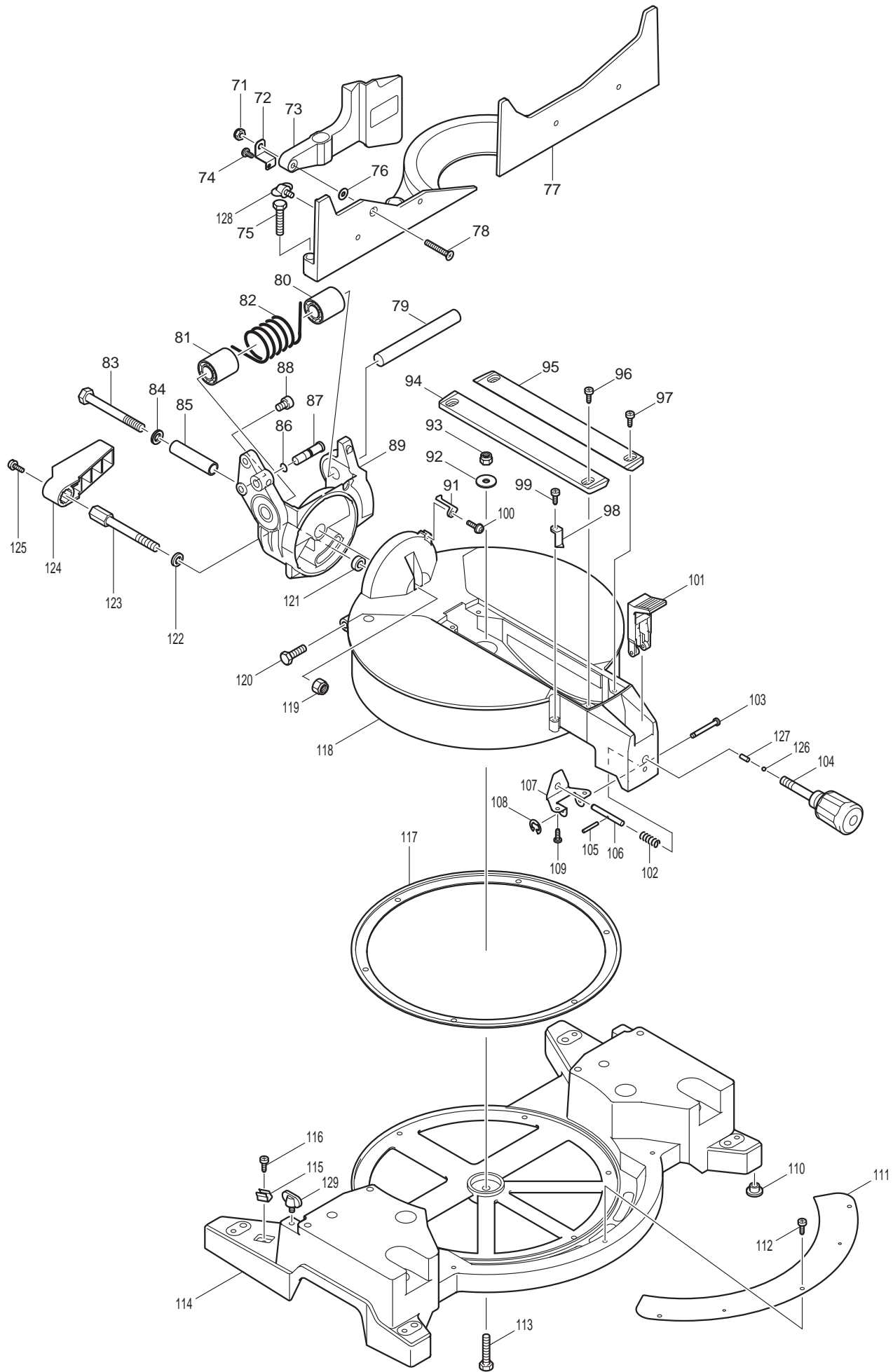


07 - 2009

LS1221

12" COMPOUND MITRE SAW





Item No	Type	Ref	Part No	Description	Qty	Unit
2			265999-8	TAPPING SCREW 4X25	2	PC.
3			265995-6	TAPPING SCREW 4X18	2	PC.
4			687052-4	STRAIN RELIEF	1	PC.
5			664463-0	CORD W/PLUG 2P-14-2.5M, SJ	1	PC.
6			682505-8	CORD GUARD 10-90	1	PC.
7			182953-6	HANDLE SET	1	SET
		INC.	817881-3	CAUTION LABEL	1	PC.
8			265995-6	TAPPING SCREW 4X18	2	PC.
9			416356-5	LOCK-OFF LEVER	1	PC.
10			231026-3	COMPRESSION SPRING 4	1	PC.
11			416404-0	SWITCH BUTTON	1	PC.
12			651923-1	SWITCH TG70B	1	PC.
13			416357-3	SWITCH LEVER	1	PC.
15			265995-6	TAPPING SCREW 4X18	4	PC.
17			231297-2	COMPRESSION SPRING 9	1	PC.
18			211206-7	BALL BEARING 6202LLB	1	PC.
19			253147-1	FLAT WASHER 15	1	PC.
20			343641-2	SHAFT LOCK	1	PC.
21			240003-4	FAN 80	1	PC.
22			510048-9	ARMATURE ASS'Y 115V	1	PC.
		INC.		Item No. 18, 19, 21, 23, 24	1	PC.
23			681640-9	INSULATION WASHER	1	PC.
24			211061-7	BALL BEARING 6000LLB	1	PC.
25			416361-2	BAFFLE PLATE	1	PC.
26			266044-2	TAPPING SCREW 5X60	2	PC.
27			596236-2	FIELD ASS'Y 115V	1	PC.
		INC.	654020-2	RING TERMINAL	2	PC.
		INC.	654553-7	CONNECTOR 34137 (OLD# 654020-2)	2	PC.
28			150787-5	MOTOR HOUSING COMPLETE	1	PC.
		INC.	643660-1	BRUSH HOLDER 6.5-13.5	2	PC.
29			911383-2	PAN HEAD SCREW M6X60	4	PC.
31			417833-0	REAR COVER	1	PC.
32			265995-6	TAPPING SCREW 4X18	2	PC.
33			266026-4	TAPPING SCREW BIND CT 4X12	1	PC.
34			687095-6	STRAIN RELIEF	1	PC.
35			819064-1	MAKITA MARK	1	PC.
36			643650-4	BRUSH HOLDER CAP 6.5-13.5	2	PC.
37	1		181047-4	CARBON BRUSH CB-154 2PCS/SET, W/O ORIGIN - N/L/A	1	SET
	2		194986-9	CARBON BRUSH CB-154 2PCS/SET, W/ ORIGIN	1	SET
38			265371-4	HEX. BOLT M8X30	1	PC.
39			251961-9	H.S.SET SCREW(FLAT POINT)M6X10	2	PC.
40			266179-9	BINDING HEAD SCREW M6	1	PC.
41			253758-2	FLAT WASHER 10	1	PC.
42			265984-1	HEX.SOCKET BUTTON HEAD BOLT M6	1	PC.
43			253823-7	FLAT WASHER 7	1	PC.
44			257162-7	RING 7	1	PC.
45			344542-7	LINK PLATE	1	PC.
46			265995-6	TAPPING SCREW 4X18	2	PC.
47			416367-0	DUST NOZZLE	1	PC.
48			150802-5	BLADE CASE COMPLETE (TYPE1:SILVER, TYPE2:YELLOW GREY)	1	PC.
		INC.	817667-5	CAUTION LABEL	1	PC.
		INC.	817874-0	CAUTION LABEL (ENG/FR)	1	PC.

Item No	Type	Ref	Part No	Description	Qty	Unit
49			421612-0	CUSHION	1	PC.
50			911223-4	PAN HEAD SCREW M5X16	2	PC.
51			265324-3	HEX. FLANGE HEAD BOLT M8X12	1	PC.
52			266034-5	TAPPING SCREW CT 4X16	1	PC.
53			344540-1	CENTER PLATE	1	PC.
54			344539-6	CENTER WASHER	1	PC.
55			231634-0	TORSION SPRING 45	1	PC.
56			417836-4	SAFETY COVER B	1	PC.
57			316940-5	SAFETY COVER A (TYPE1:SILVER, TYPE2:YELLOW)	1	PC.
58			266026-4	TAPPING SCREW BIND CT 4X12	3	PC.
59			265985-9	HEX.SOCKET HEAD BOLT M6	1	PC.
60			344541-9	CENTER COVER	1	PC.
61			265405-3	HEX. FRANGE HEAD BOLT M10X20	1	PC.
62			224333-1	FLANGE 53	1	PC.
63			257060-5	RING 15.8	1	PC.
64			224333-1	FLANGE 53	1	PC.
65			285828-9	BEARING RETAINER 66	1	PC.
66			322625-3	SPINDLE	1	PC.
67			211256-2	BALL BEARING 6203LLB	1	PC.
68			316473-0	BEARING BOX	1	PC.
69			226482-0	HELICAL GEAR 49	1	PC.
70			211031-6	BALL BEARING 608LLB	1	PC.
71			252014-7	HEX. LOCK NUT M6-10	1	PC.
72			344463-3	SUB FENCE PLATE (TYPE1:SILVER, TYPE2:YELLOW GREY)	1	PC.
73			150804-1	SUB FENCE COMPLETE (TYPE1:SILVER, TYPE2:YELLOW GREY)	1	PC.
		INC.	810858-7	CAUTION LABEL	1	PC.
74			911108-4	* PAN HEAD SCREW M4X8	1	PC.
75			921461-0	HEX. BOLT M8X40	4	PC.
76			253804-1	FLAT WASHER 6	1	PC.
77			317980-6	* GUIDE FENCE (YELLOW GREY)	1	PC.
78			912357-6	COUNTERSUNK HEAD SCREW M6X35	1	PC.
79			323740-6	ROD 16	1	PC.
80			416358-1	SLEEVE 17	1	PC.
81			416358-1	SLEEVE 17	1	PC.
82			231635-8	TORSION SPRING 34	1	PC.
83			265456-6	HEX. BOLT M10X90	1	PC.
84			941251-5	FLAT WASHER 10	1	PC.
85			331524-8	PIN 16-65	1	PC.
86			213011-8	O RING 7	1	PC.
87			322988-7	STOPPER PIN	1	PC.
88			922412-6	HEX. SOCKET HEAD BOLT M8X12	1	PC.
89			150791-4	ARM COMPLETE (TYPE1: SILVER, TYPE2:YELLOW GREY)	1	PC.
		INC.	816772-5	BEVEL SCALE LABEL	1	PC.
91			416355-7	INDICATION PLATE	1	PC.
92			253852-0	FLAT WASHER 8	1	PC.
93			252105-4	HEX. LOCK NUT M8-13	1	PC.
94			416360-4	KERF BOARD	1	PC.
95			416360-4	KERF BOARD	1	PC.
96			266026-4	TAPPING SCREW BIND CT 4X12	2	PC.
97			266026-4	TAPPING SCREW BIND CT 4X12	2	PC.
98			416355-7	INDICATION PLATE	1	PC.
99			266026-4	TAPPING SCREW BIND CT 4X12	1	PC.

Item No	Type	Ref	Part No	Description	Qty	Unit
100			911118-1	PAN HEAD SCREW M4X12	1	PC.
101			416359-9	LOCK LEVER	1	PC.
102			231325-3	COMPRESSION SPRING 6	1	PC.
103			256626-8	PIN 4	1	PC.
104			271308-1	KNOB 40	1	PC.
105			256158-5	PIN 3	1	PC.
106			323741-4	LOCK PIN	1	PC.
107			344538-8	LOCK PLATE	1	PC.
108			961017-7	STOP RING E-3	1	PC.
109			266026-4	TAPPING SCREW BIND CT 4X12	2	PC.
110			286212-1	CAP 20	4	PC.
111			816773-3	MITER SCALE PLATE	1	PC.
112			266026-4	TAPPING SCREW BIND CT 4X12	3	PC.
113			921462-8	HEX. BOLT M8X40	1	PC.
114			150803-3	BASE COMPLETE (TYPE1:SILVER, TYPE2: YELLOW GREY)	1	PC.
		INC.	817283-3	CAUTION LABEL	2	PC.
		INC.	817838-4	CAUTION LABEL	1	PC.
115			232075-3	LEAF SPRING	1	PC.
116			266026-4	TAPPING SCREW BIND CT 4X12	1	PC.
117			416403-2	SLIDE PLATE	1	PC.
118			316943-9	TURN BASE (TYPE1:SILVER, TYPE2:YELLOW GREY)	1	PC.
119			252130-5	HEX. LOCK NUT M10-17	1	PC.
120			265371-4	HEX. BOLT M8X30	2	PC.
121	1		262051-3	RUBBER RING 9	1	PC.
	2		262158-5	RUBBER RING 9	1	PC.
122			941251-5	FLAT WASHER 10	1	PC.
123			265457-4	HEX. BOLT M10	1	PC.
124			416006-2	LEVER 100	1	PC.
125			911118-1	PAN HEAD SCREW M4X12	1	PC.
126			216001-0	STEEL BALL 3.5	1	PC.
127			256226-4	PIN 4	1	PC.
128			251887-5	SCREW M6X10	1	PC.
129			251887-5	SCREW M6X10	2	PC.
130			316938-2	WISE ARM	1	PC.
131			251887-5	SCREW M6X10	1	PC.
132			322983-7	WISE ROD	1	PC.
133			271303-1	KNOB 40	1	PC.
134			253804-1	FLAT WASHER 6	1	PC.
135			343651-9	WISE PLATE	1	PC.
136			251370-2	+ PAN HEAD SCREW I5	1	PC.
137			271297-0	KNOB 45	1	PC.
138			344099-8	GUARD PLATE	1	PC.
140			251887-5	SCREW M6X10	2	PC.
141			265889-5	ADJUST BOLT	2	PC.
142			251887-5	SCREW M6X10	2	PC.
143			251887-5	SCREW M6X10	1	PC.
144			253744-3	FLAT WASHER 12	1	PC.
145			253047-5	FLAT WASHER 6	1	PC.
146			911317-5	P.H.SCREW M6X14	1	PC.
147			286236-7	CAP 16	2	PC.
148			322209-7	WISE NUT	1	PC.

Item No	Type	Ref	Part No	Description	Qty	Unit
ACCESSORIES			- See catalogue or visit www.makita.ca for more accessories -			
A01			762001-3	TRIANGULAR RULE	1	PC.
A02			782212-4	SOCKET WRENCH 13	1	PC.
A03			122523-9	DUST BAG ASS'Y	1	PC.
		INC.	410602-8	FASTENER	2	PC.
A05			323726-0	HOLDER 160	2	PC.
	Opt.		192673-4	HOLDER 160 SET	1	PC.
		INC.		Item No. A05, 140	1	PC.
A06			122540-9	VERTICAL VISE ASS'Y	1	PC.
		INC.		Item No. 130 - 136	1	PC.
A07			A-85472	12" C.T.SAW BLADE 60T (1" ARBOUR)	1	PC.
A08			416368-8	ELBOW (OLD)	1	PC.
A09			122551-4	SET PLACE ASSY	1	PC.
		INC.		Item No. 143	1	PC.
A10			256812-1	ROD 12	1	PC.
A11			122470-4	HORIZONTAL VISE ASS'Y	1	PC.
		INC.		Item No. 137 - 138, 144 - 150	1	PC.
A12			192669-5	CROWN MOLDING STOPPER SET	1	PC.
A13			191687-A	MAKITA SAFETY GLASSES - N/L/A	1	PC.
A14			192671-8	EXTENSION ROD HOLDER	1	PC.
		INC.		Item No. 141 - 142	2	PC.
A15			194943-7	MITRE SAW STAND SET (See 194943-7 Partsbreakdown)	1	SET
A16			194061-1	PORTABLE MITER SAW STAND (See 194061-1 Partsbreakdown)	1	PC.

SERVICE CHANGES

1. Change on Guide Fence, etc.

Item No.	Description	Type 1	Type 2
74	Screw 4X8	266061-2 Tapping, Bind, CT	911108-4 Pan Head
77	Guide Fence	316945-5 (N/L/A)	317980-6 (w/ threaded hole)

Above parts are interchangelable as a set.